

EVAPORATION BOATS

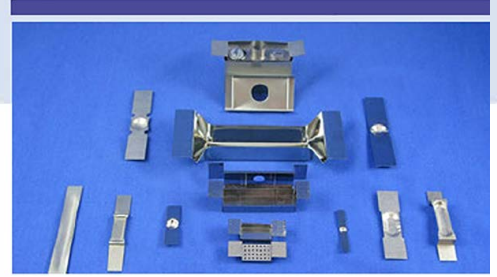
Boats are used for the vacuum evaporation of materials that are in granular or pellet form.

Our current boat catalog is available below. These styles can be *customized* to suit, or boats can be manufactured to *your specifications*. Boats can be made from **tungsten**, **molybdenum**, or **tantalum** in a variety of *thicknesses*. Boats can also be coated with alumina.

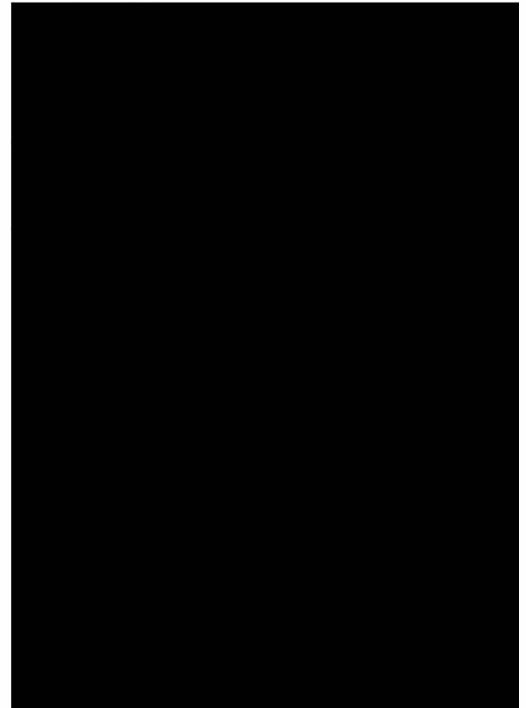
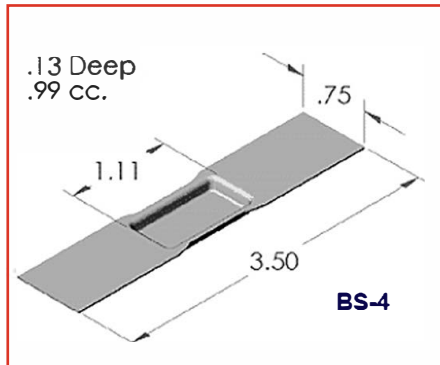
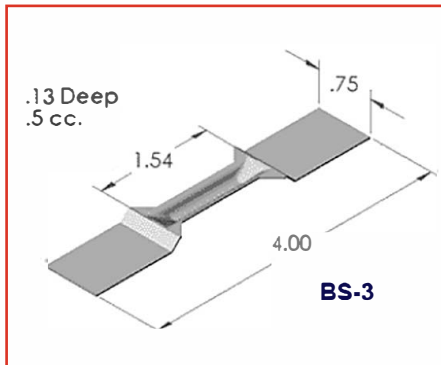
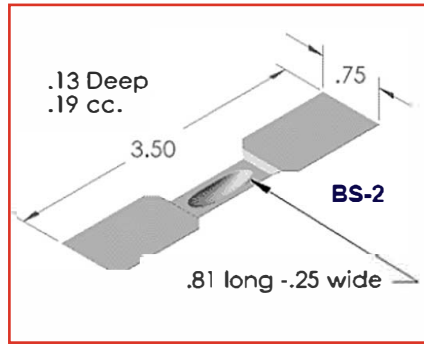
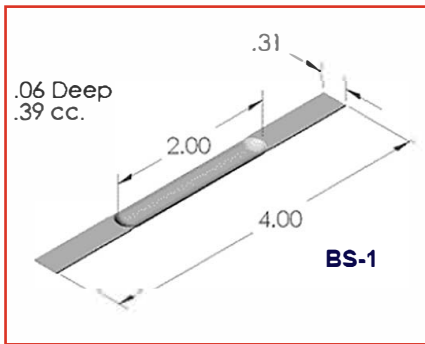
They can also be used to evaporate small lengths of wire or to evaporate materials which would not properly "wet" the surface of an evaporation filament. These boats are ideal for use in small evaporation systems, such as bell jars, for experimental and prototype work. Boats shown here are currently being produced by Midwest Tungsten Service. Most are in stock for immediate delivery.

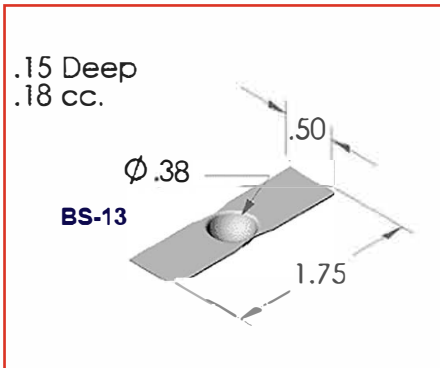
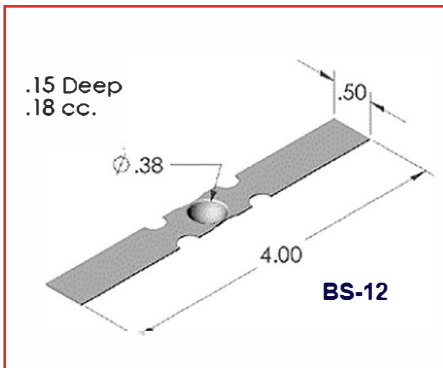
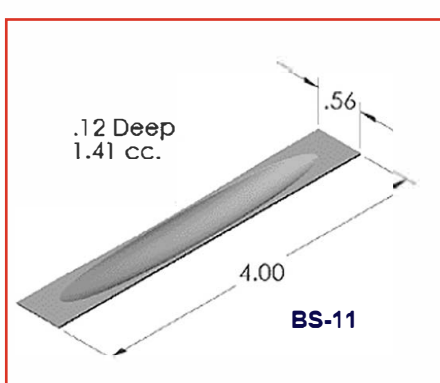
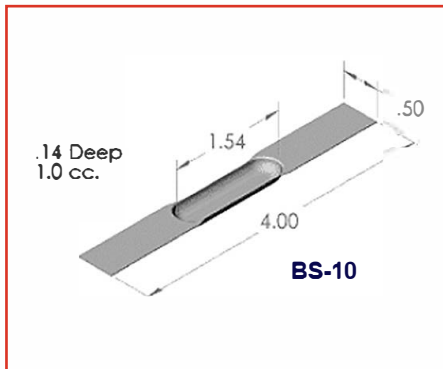
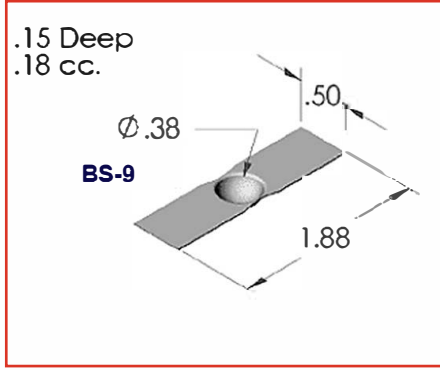
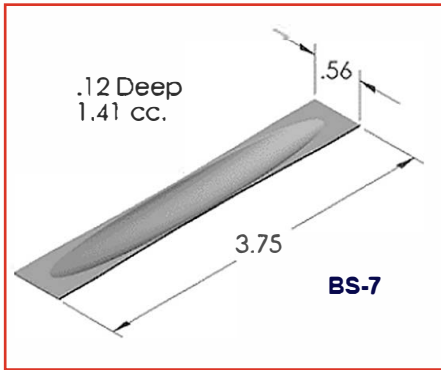
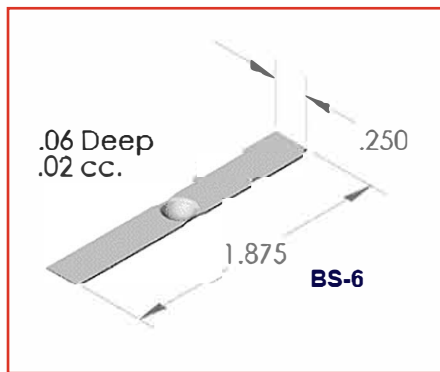
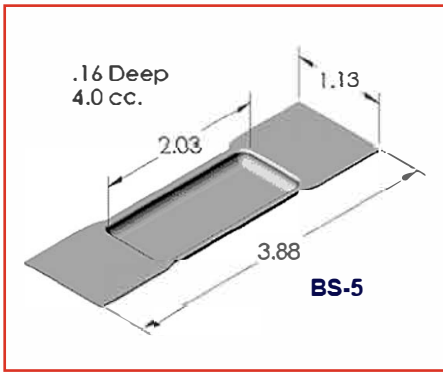
If you do not see a vacuum evaporation boat which suits your application, **please contact us** for our **advanced machining capabilities for custom boats** in as little as 3 days.

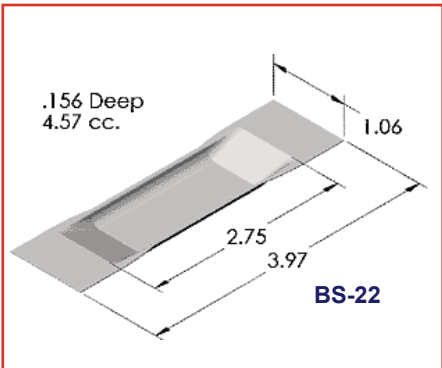
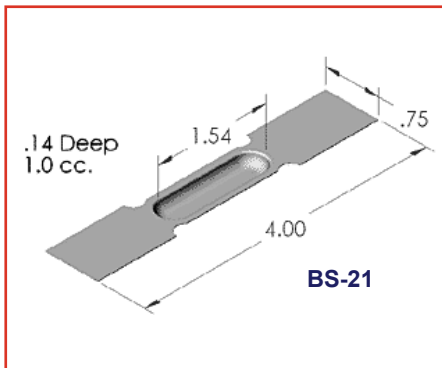
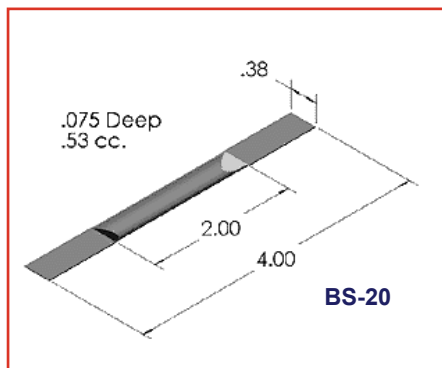
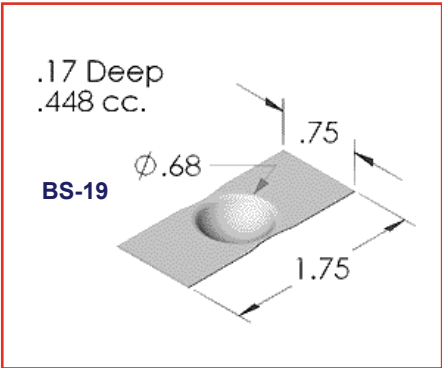
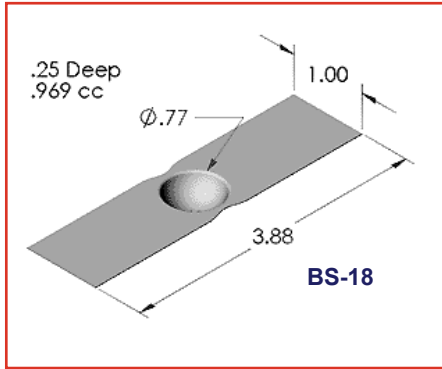
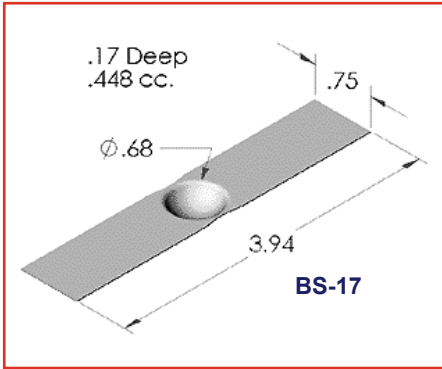
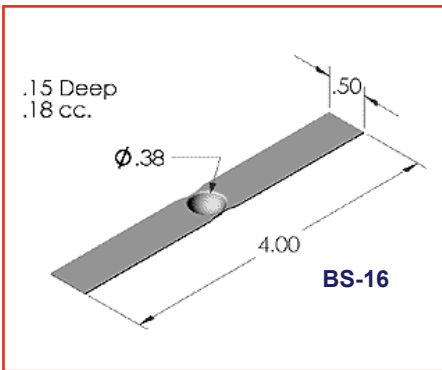
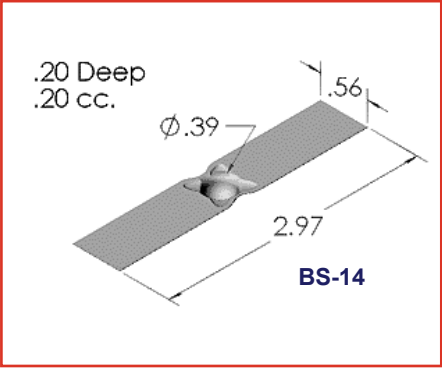
Please specify material (tungsten boat, molybdenum boat, or tantalum boat) and thickness (.005, .010, 0.15, .020, or other sizes). All dimensions shown are in inches.

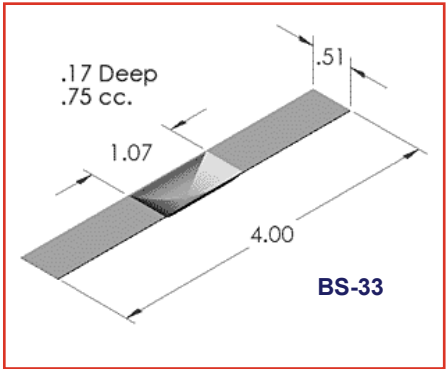
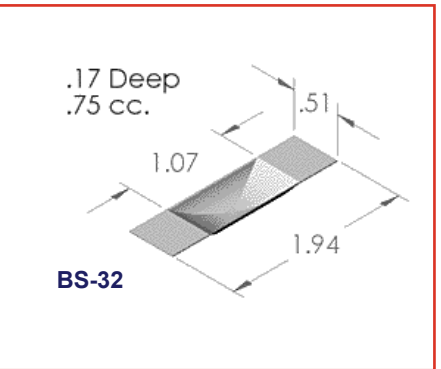
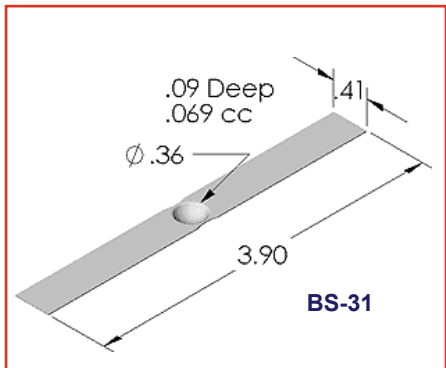
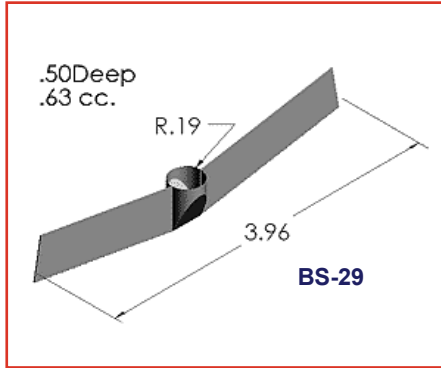
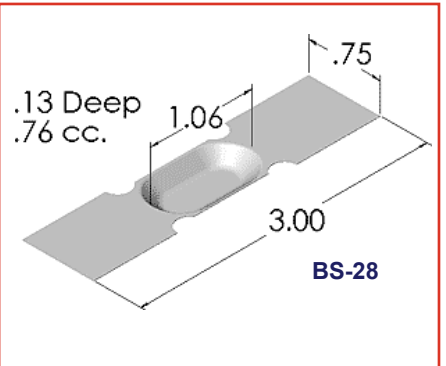
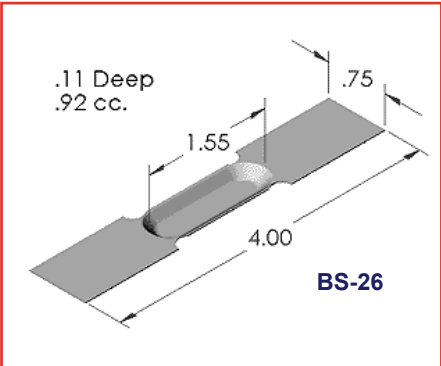
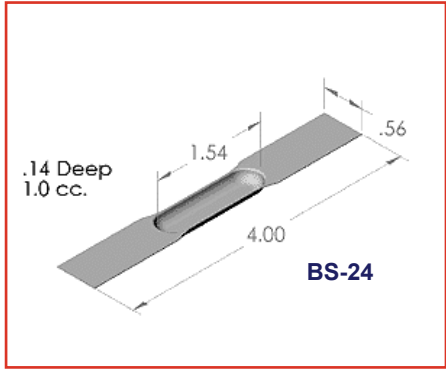
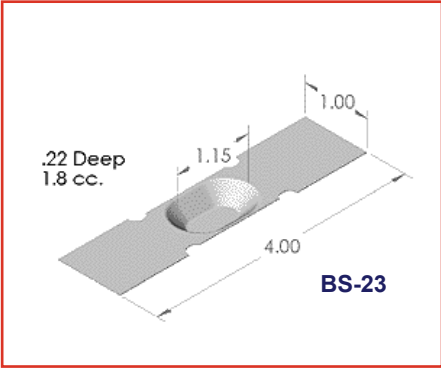


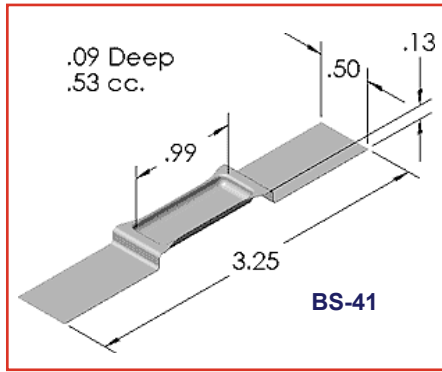
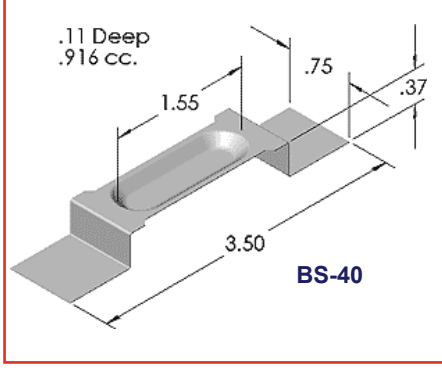
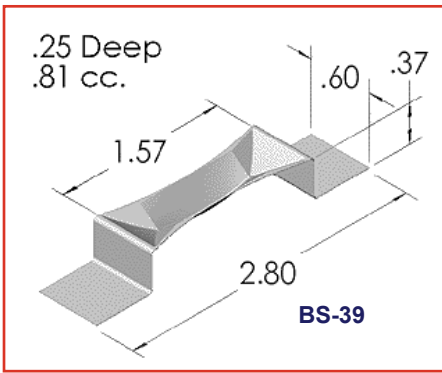
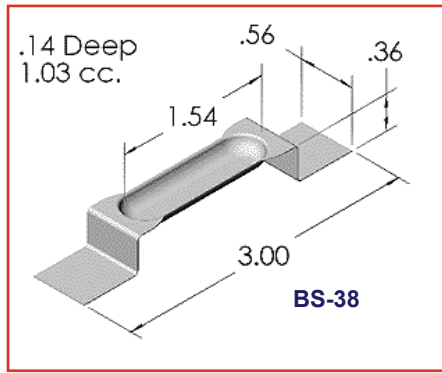
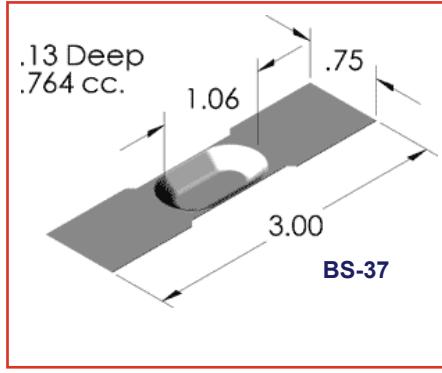
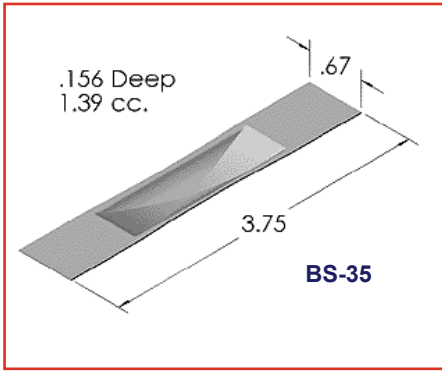
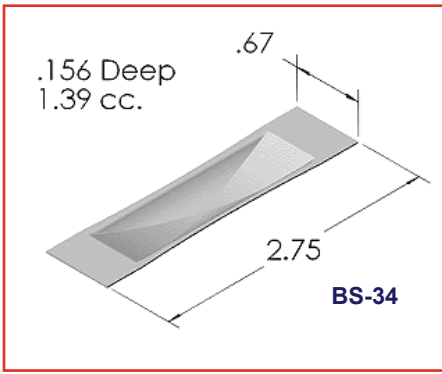
Evaporation Boats Catalog

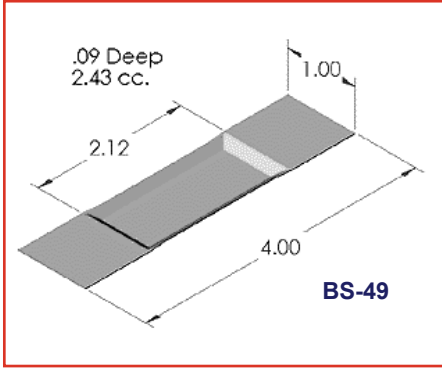
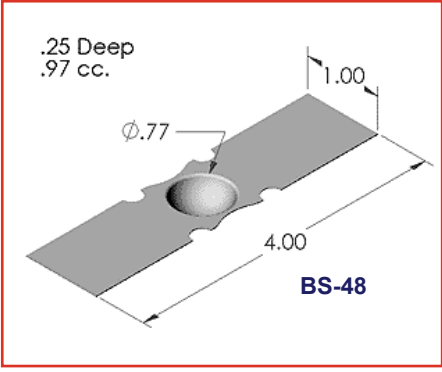
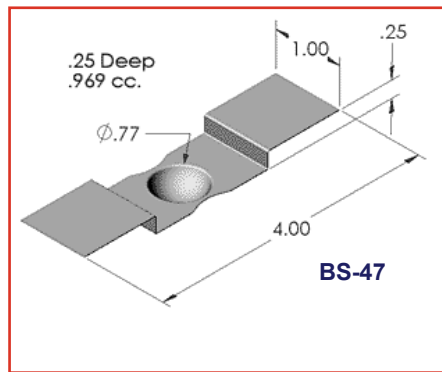
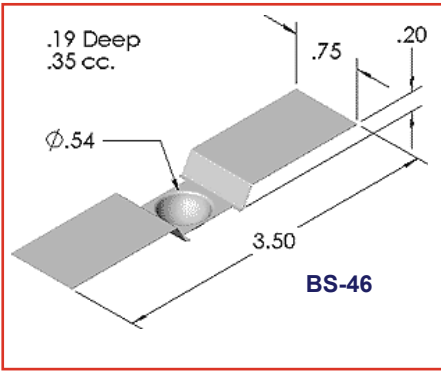
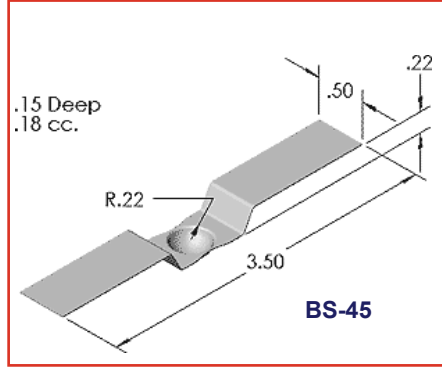
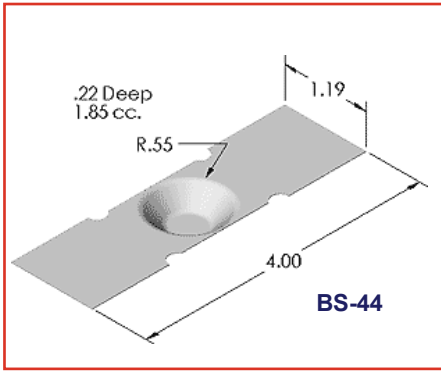
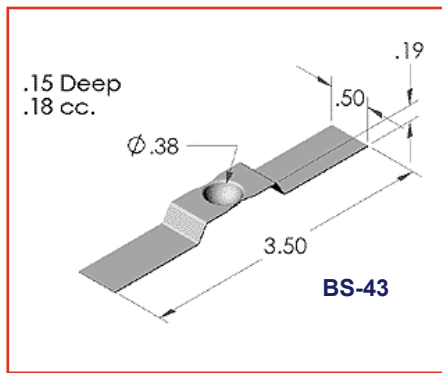
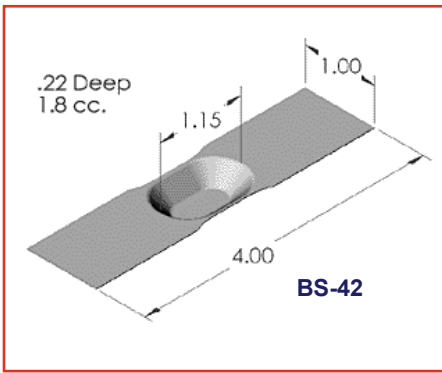


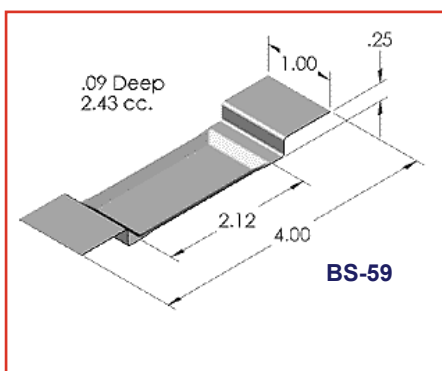
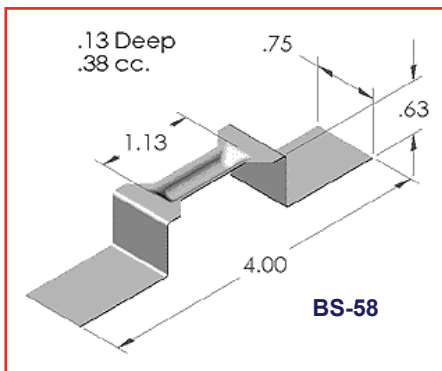
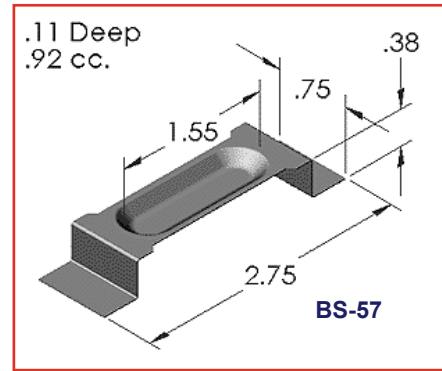
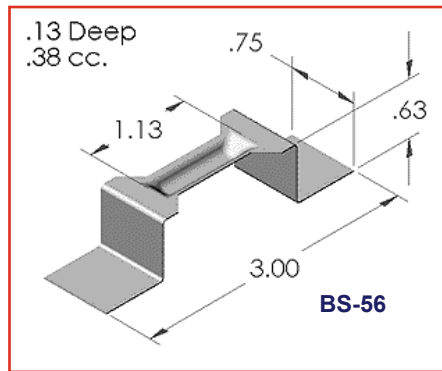
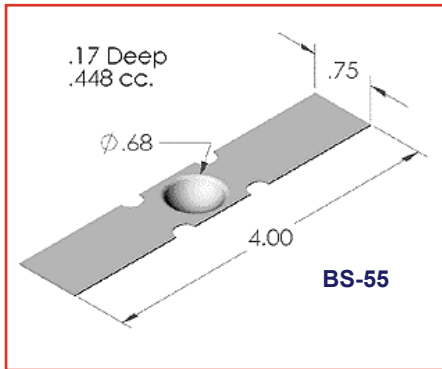
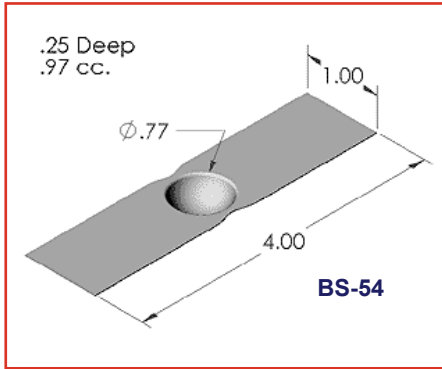
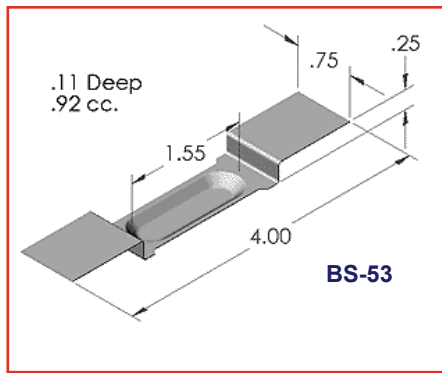
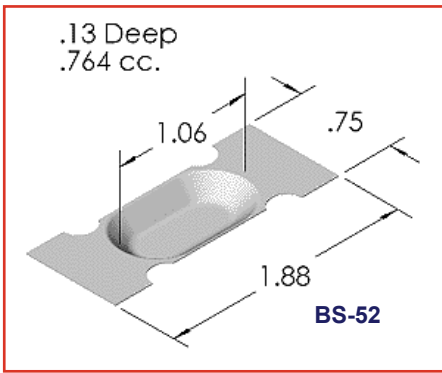


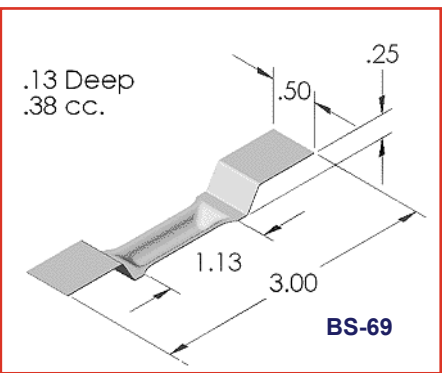
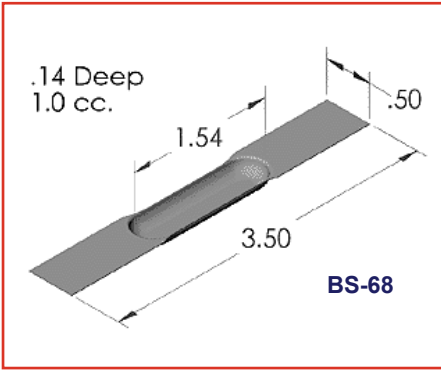
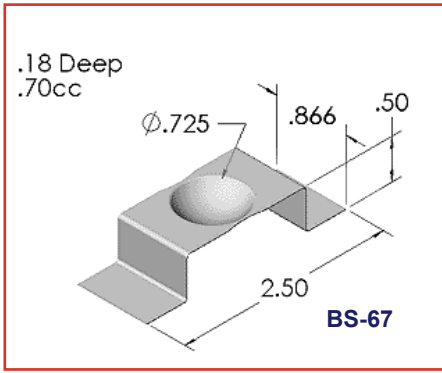
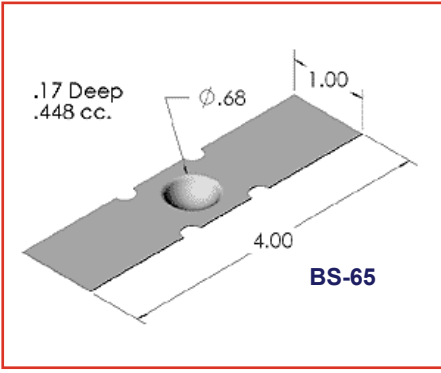
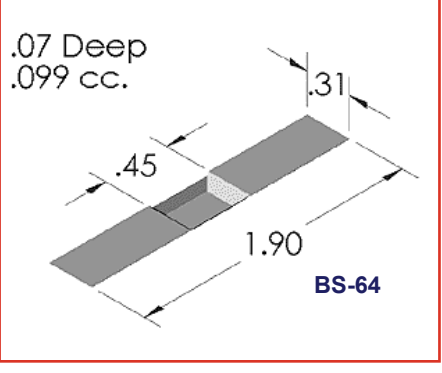
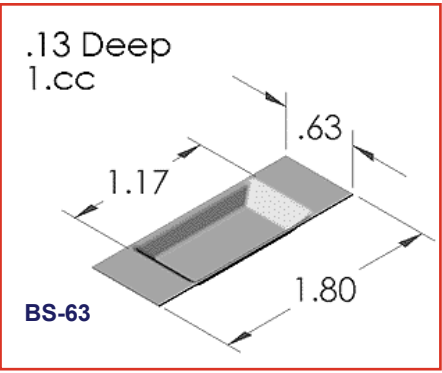
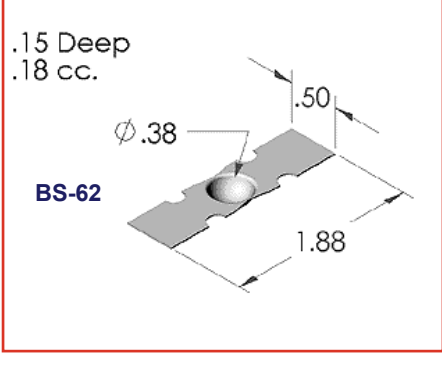
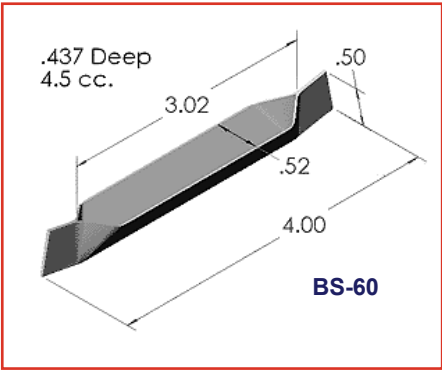


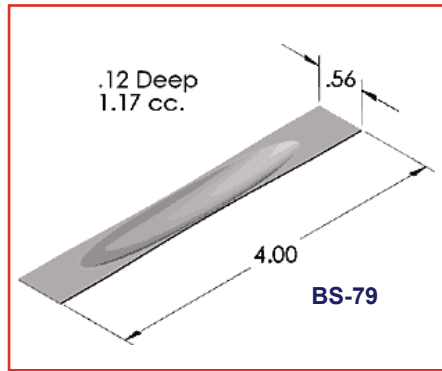
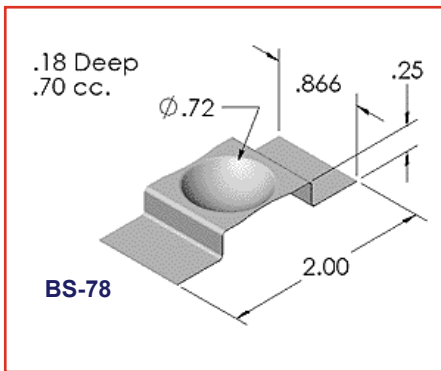
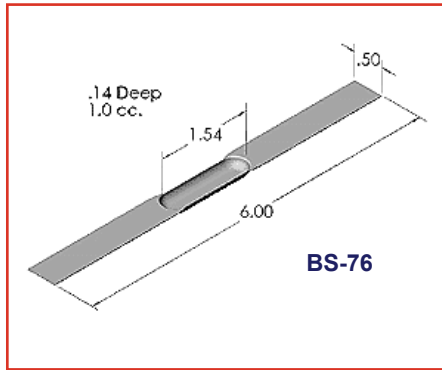
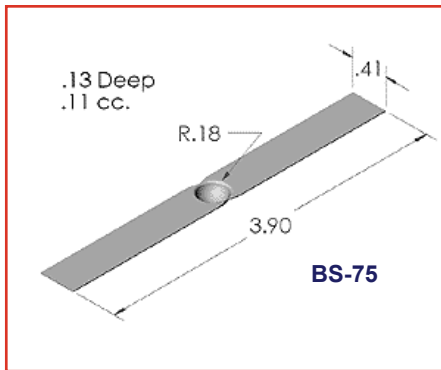
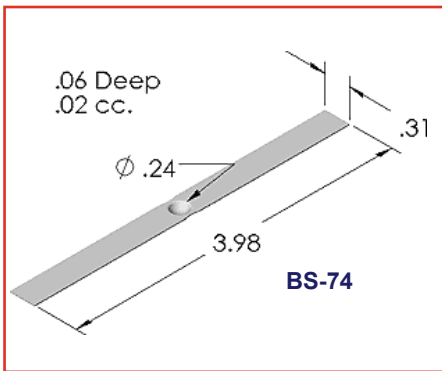
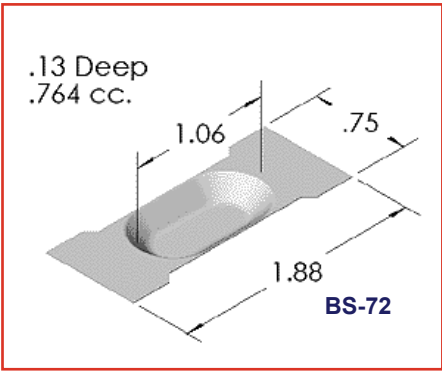
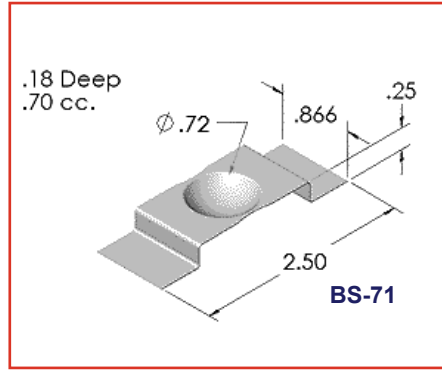
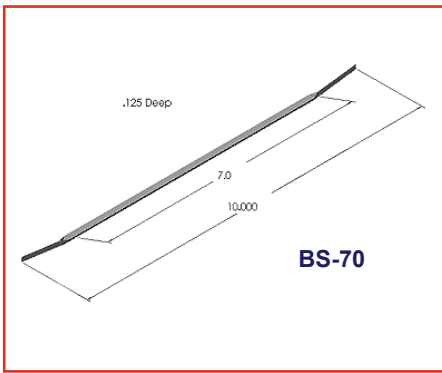


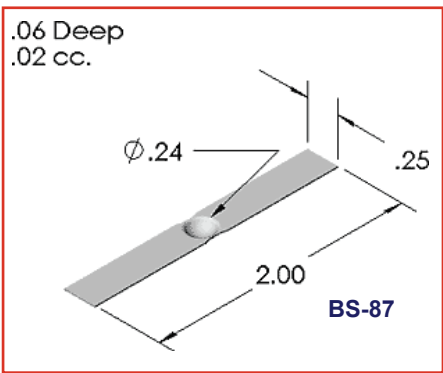
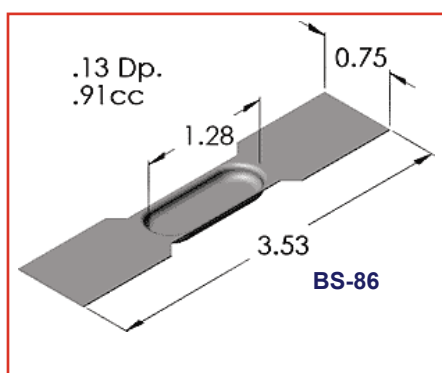
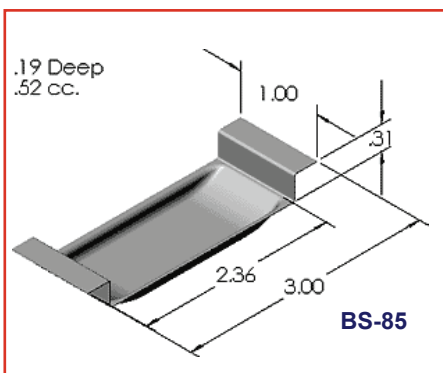
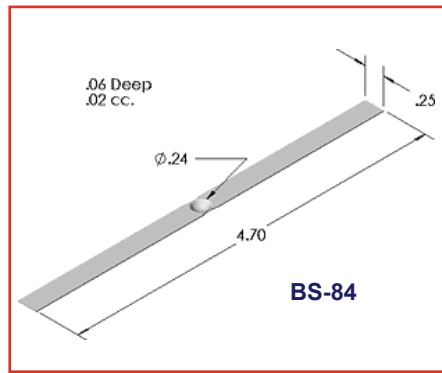
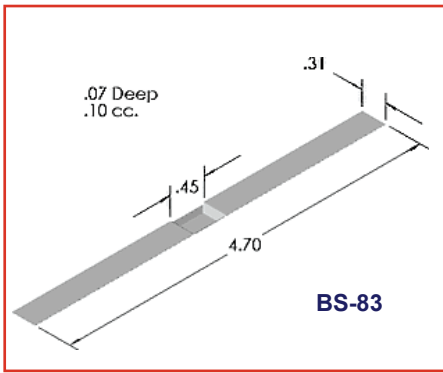
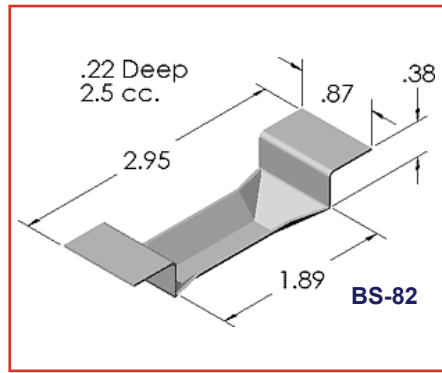
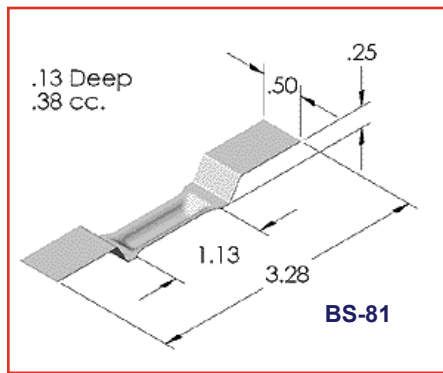
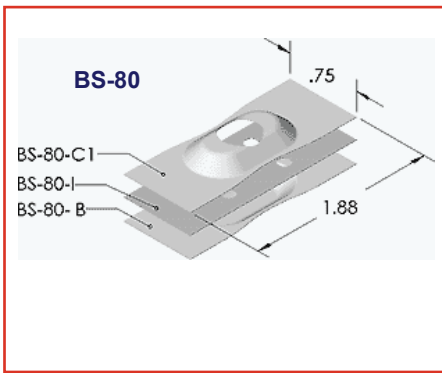


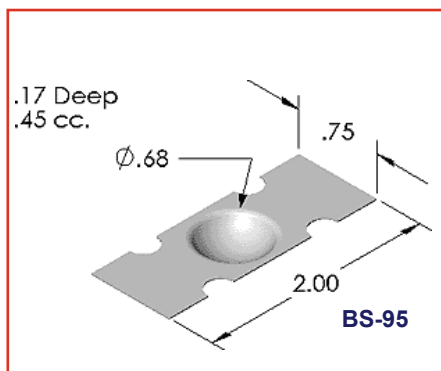
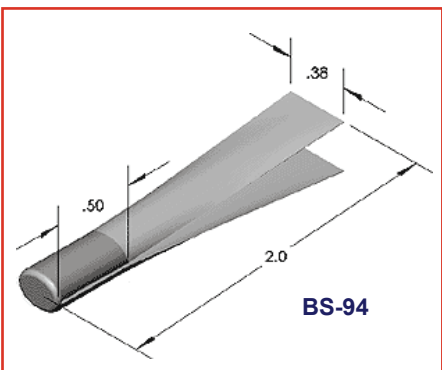
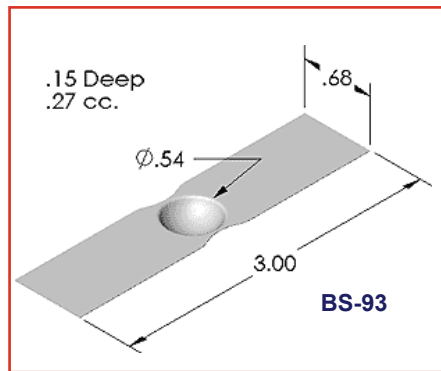
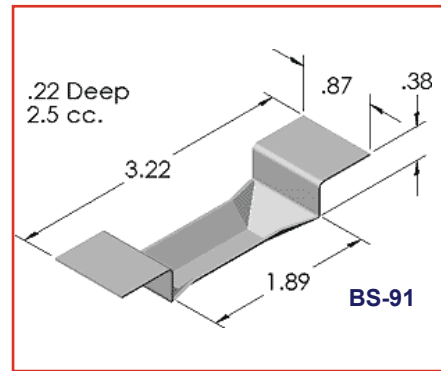
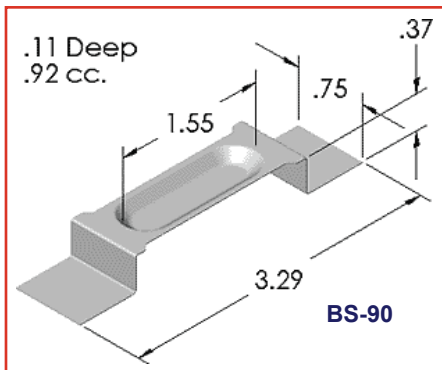
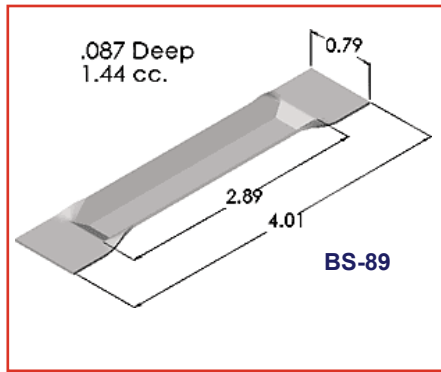
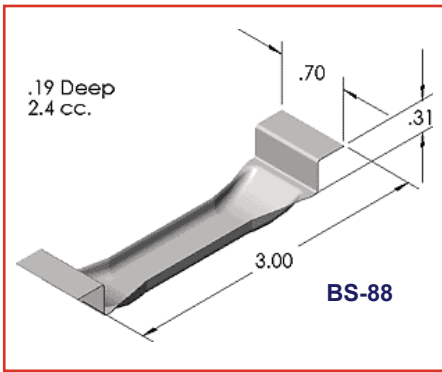


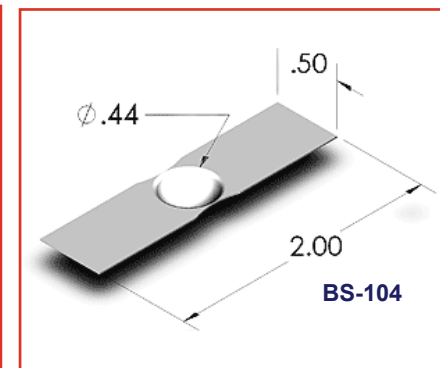
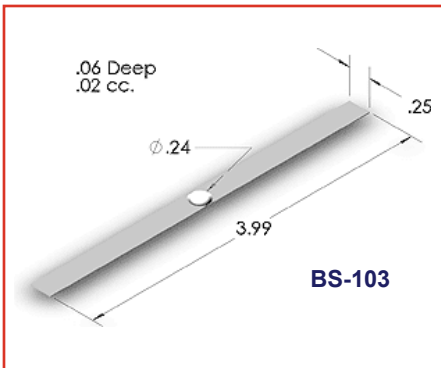
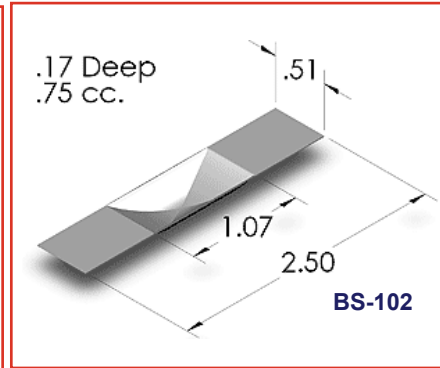
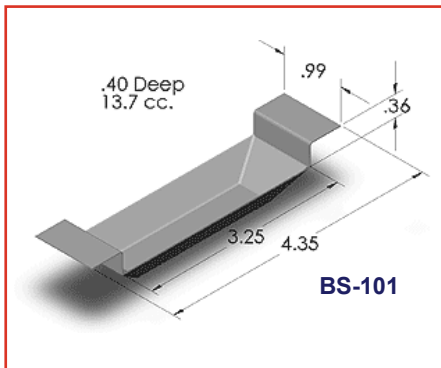
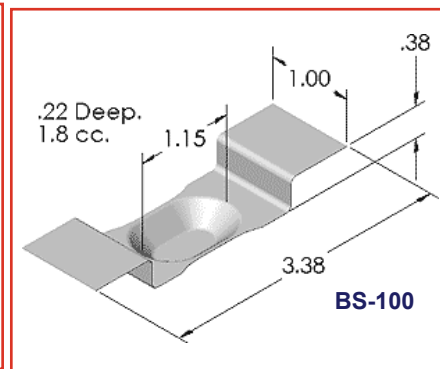
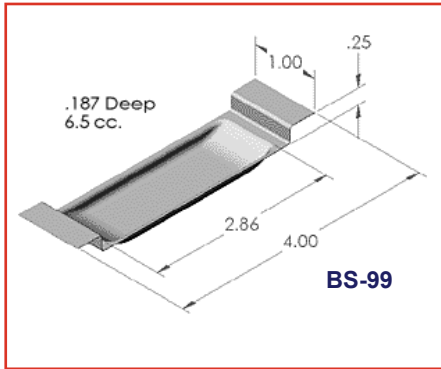
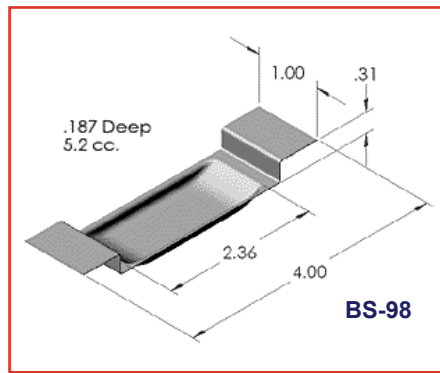
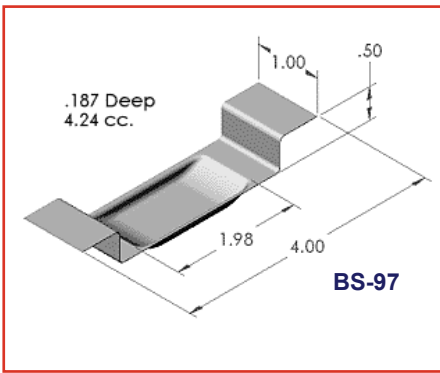


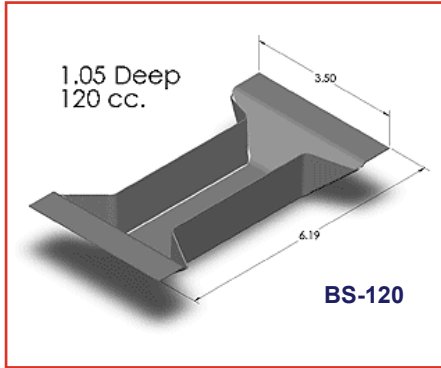
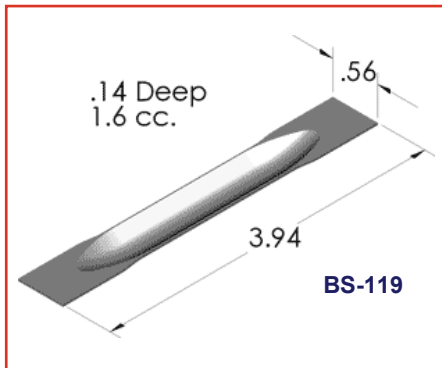
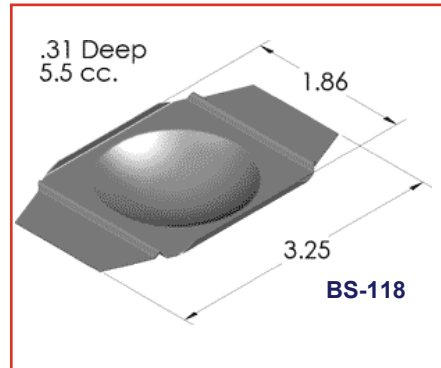
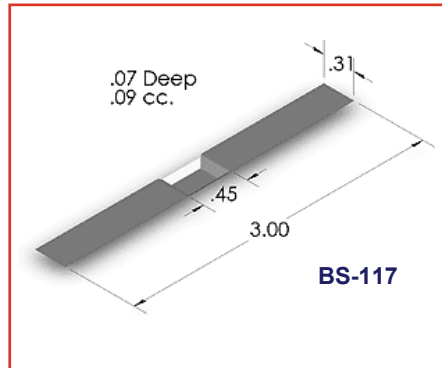
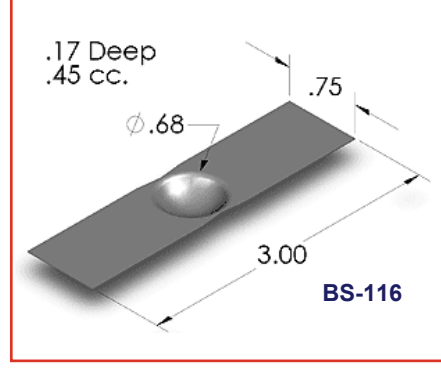
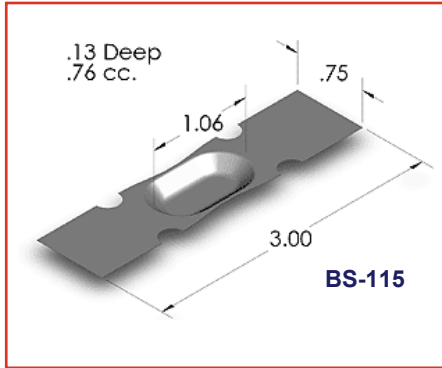
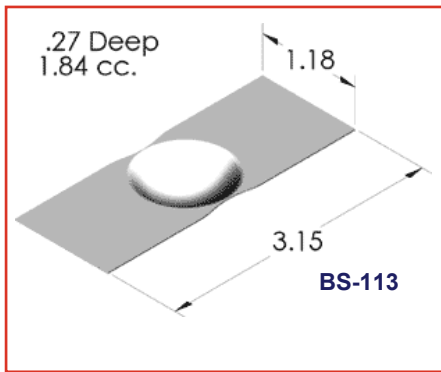
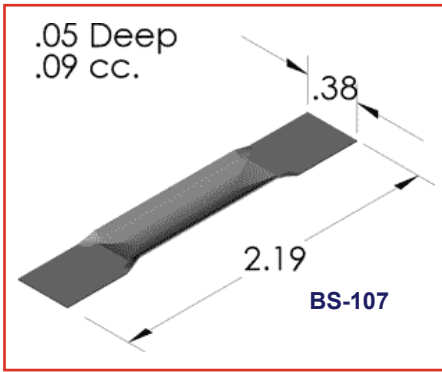


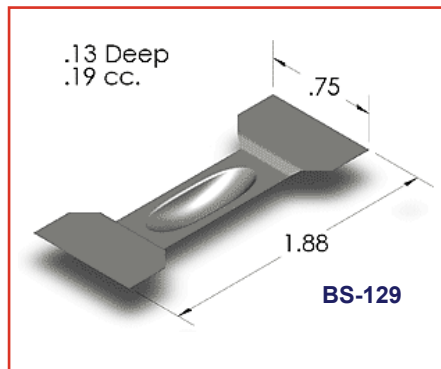
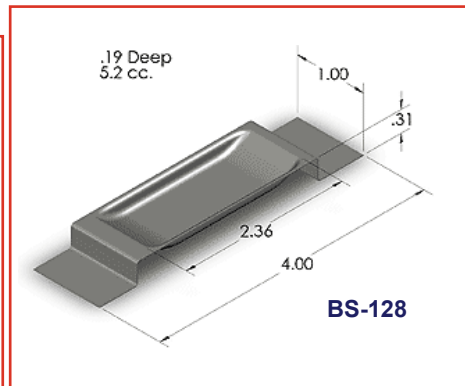
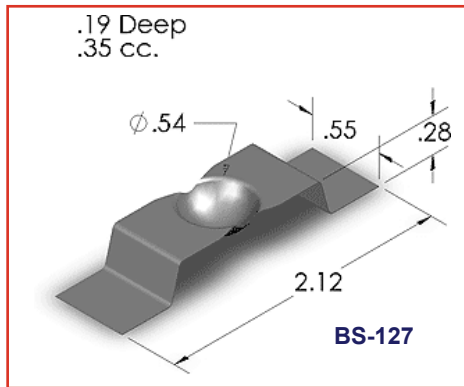
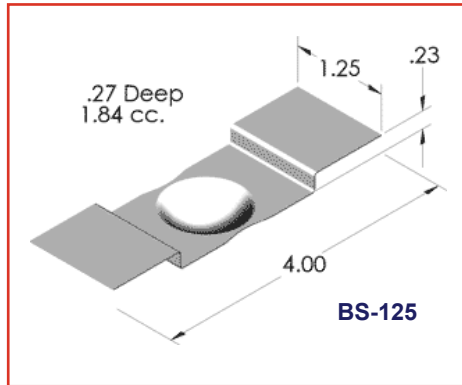
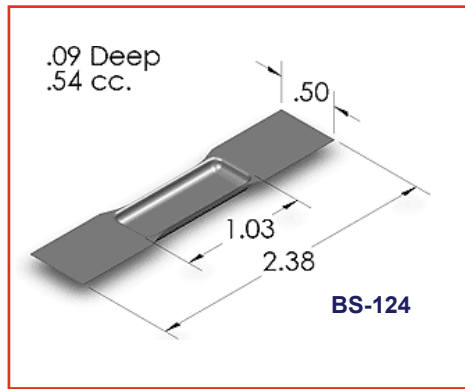
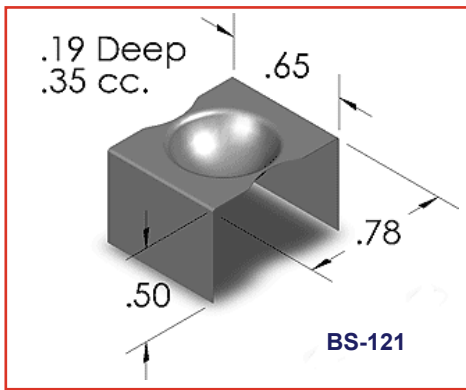


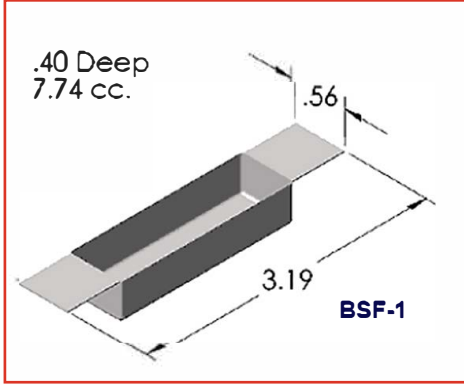
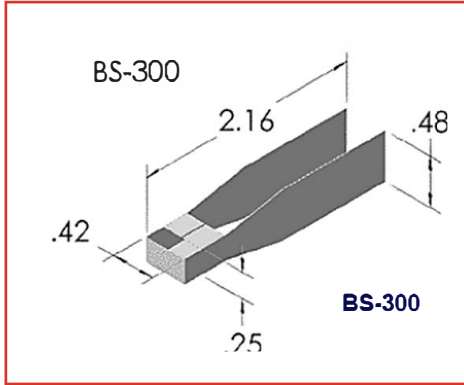
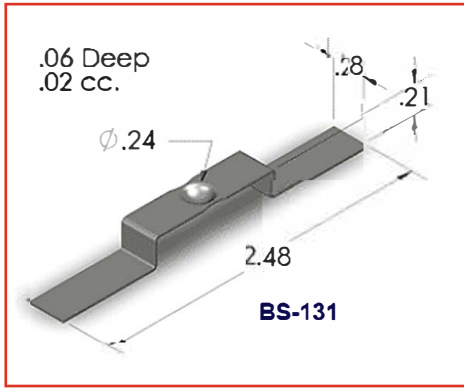
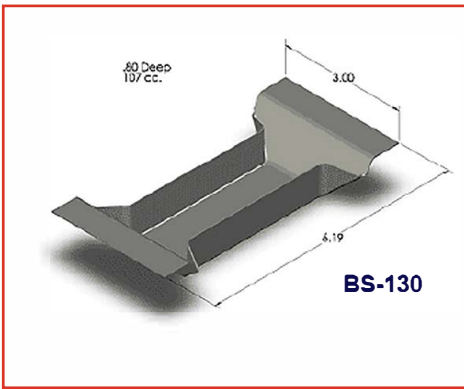












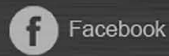
Midwest Tungsten Service, 540 Executive Drive, Willowbrook, IL 60527

Email: mts@tungsten.com
Toll Free: 1-800-626-0226

Phone: 1-630-325-1001
Fax: 1-630-325-3571

CONNECT WITH US

Join our Newsletter



SITE MAP

- Home
- Products
- Services
- Contact
- About
- Materials
- Case Studies
- News/Tips
- Testimonials

All contents of this website are © Midwest Tungsten Service 2015 and may not be used without expressed written consent of MTS.